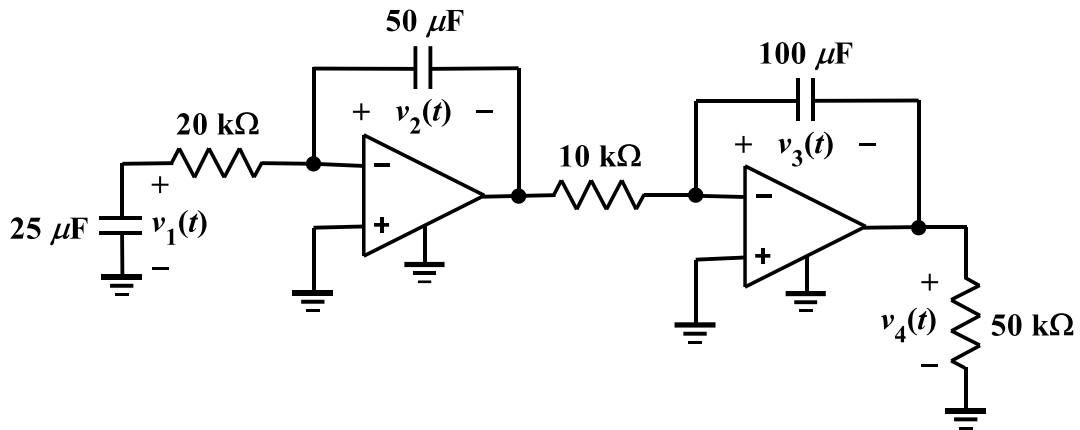


**Homework Problem #069**



Given  $v_1(0) = 20\text{ V}$ ,  $v_2(0) = -10\text{ V}$  and  $v_3(0) = -5\text{ V}$ , use LTspice to plot  $v_4(t)$  for  $t \geq 0$ . Use the model shown below to build a subcircuit model for the OpAmps.

